

Toxic or Combustible Hazards



MX 15

Single channel Alarm and Control Unit

Designed for use in **boiler rooms and car parks**, the new **MX 15** controller assures you of the most cost effective solution for the continuous monitoring of toxic or flammable gases and vapours in the ambient air.

Easy to install and operate, the **MX 15** control unit combined for instance with the **OLC(T) 10** detectors meets the more demanding user requirements in accordance with the European standards.

Specifications

- mounted display
- Fixing DIN rail provided
- Up to 5 detectors
- 2 fully programmable alarms
- 3 on-board relays
- ATEX (3)G

Casing

Size (W x H x D) • 185 x 157 x 67 mm

Material • ABS

Mounting • By Rail DIN supplied

Cable entries • 3 cable-glands M20 (outer diameter 5.5 to 12 mm)

• 1 cable-glands M16 (outer diameter 4 to 8 mm)

Protection • IP31

Power supply

Voltage • 230 or 115 VAC and 21 to 30 VDC (nominal 24 VDC)

Consumption • 20 VA

Operating temperature • -10 to +45°C

Cabling

Sensors

• 1 flammable gas detector OLC10 or 2 detectors OLC10 TWIN for detection of methane, butane, propane in boiler rooms and LPG, Natural Gas for Vehicles or H₂ in car parks

• 1 flammable gas transmitter OLCT10 for detection of methane, butane, propane in boiler rooms and LPG, Natural Gas for Vehicles or H₂ in car parks

• 1 to 5 similar detectors type OLCT10 for detection of CO, NO, NO₂ in car parks for example

Terminal block • 1 : signal I out / 2 : 0 V / 3 : + 24 VDC

Maximum cable length • OLC10 (flammable only): 3-wire, shielded, core size 1 to 1.5 mm², 300 m max

• OLC10 TWIN (flammable only): 4-wire, shielded, core size 1 to 1.5 mm², 300 m max

• OLCT10 (flammable): 3-wire, shielded, core size 1 to 1.5 mm², 1 Km max

• OLCT10 (toxic): 2-wire, shielded, core size 0.75 to 1.5 mm², 4 Km max

Display

Type • Liquid Crystal Display, 4 digits and extra friendly symbols

Visual indications • 4 DELs. Green: power on, Red: alarms triggered, Orange: failure

Gas and unit • Selectable in a programmed list

Keyboard

• 3 keys for access to main menu, test or acknowledgement

• 1 : Enter / Menu, 2 : - / test indicator, 3 : + / acknowledgement

Alarms & relays

• 2 programmable and independent levels, falling or increasing alarms, latching or unlatching modes, local or remote acknowledgment

• 2 alarm relays normally energized, selectable normally open or normally closed (de-energized on request at the factory)

• 1 fault relay, normally energized

• Relay ratings : 2A at 250 Volts AC or 30 Volts DC

Approvals

ATEX 94/9/CE Directive • category 3G (flammable gas detection metrology EN 61779-1 and EN 61779-4)

Low Voltage Directive • EN 61010

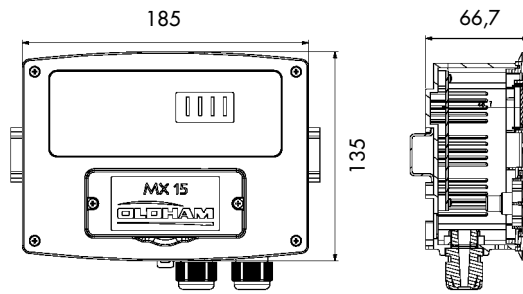
Electromagnetic compatibility (EEC directive)

• EN 50270

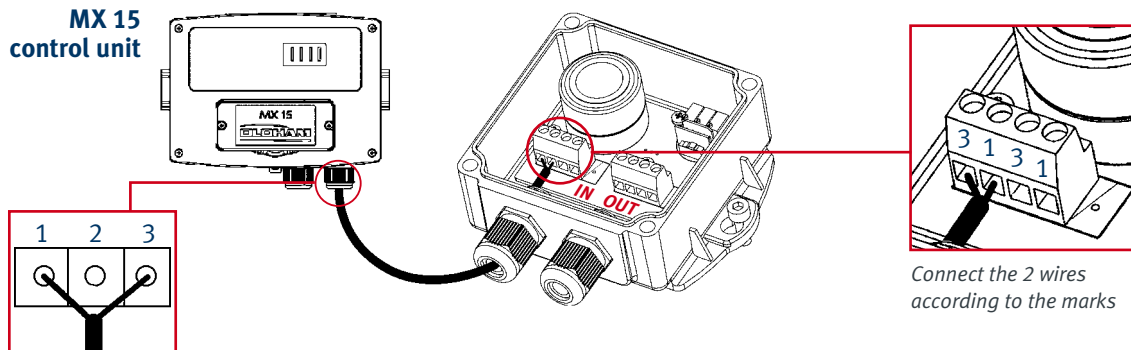


**INDUSTRIAL
SCIENTIFIC**

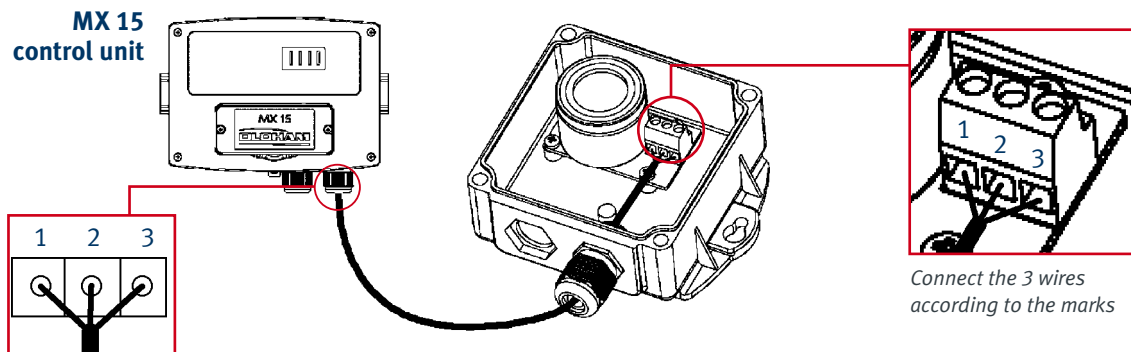
Dimensions



Wiring arrangement between OLCT 10 (toxic) and MX 15 control unit



Example of wiring arrangement for combustible gases



Your agent or retailer

INDUSTRIAL SCIENTIFIC CORPORATION

Plant and head office: Z.I. Est - rue Orfila - B.P. 417 - 62 027 ARRAS CEDEX FRANCE
 Tel.: +33 3 21 60 80 80 - Fax: +33 3 21 60 80 00
 Web site: www.oldhamgas.com - www.indsci.com

EXPORT DEPARTMENT:
PHONE: +33 3 21 60 80 80 - FAX: +33 3 21 60 80 05

AMERICAS

Tel.: +1 412 788 4353
 Fax: +1 412 788 8353
info@indsci.com

ASIA PACIFIC

Tel.: +86 10 8497 3970
 Fax: +86 10 8497 3971
sales@isc-cn.com

EUROPE

Tel.: +33 3 21 60 80 80
 Fax: +33 3 21 60 80 00
info@eu.indsci.com

AUSTRALIA / NZ

Tel.: +61 2 8870 3400

GERMANY

Tel.: +49-231 9241-0

MIDDLE EAST

Tel.: +971 50 455 8518

SINGAPORE

Tel.: +65 6561 7377

UNITED KINGDOM

Tel.: +44 1280 706114

CZECH REPUBLIC

Tel.: +420 234 622 222/3

ITALY

Tel.: +39 011 3801371

NETHERLANDS

Tel.: +31 76 5427 609

SWITZERLAND

Tel.: +41 26 652 51 18